



INSTRUCTION BULLETIN

No. 9004947
Machine: S30/S30 XP/
S30 X4
Published: 08-2010
Rev. 01

NOTE: DO NOT DISCARD the Parts List from the Instruction Bulletin. Place the Parts List in the appropriate place in the machine manual for future reference. Retaining the Parts List will make it easier to reorder individual parts and will save the cost of ordering an entire kit.

NOTE: Numbers in parenthesis () are reference numbers for parts listed in Bill of Materials.

Installation instructions for **kit number 9003635**

SYNOPSIS:

This kit contains the parts needed to install an overhead guard kit on S30, S30 XP, and S30 X4 machines (serial numbers 000000-002099).
Please follow step-by-step instructions.

SPECIAL TOOLS / CONSIDERATIONS: NONE

(Estimated time to complete: 1.5 hours)

PREPARATION:

1. Park the machine on a clean level surface, turn off the machine, remove the key, and set the parking brake.

FOR SAFETY: Before leaving or servicing machine, stop on level surface, turn off machine, and remove key.

2. Lift and lock the rear cover completely open.
3. Open the left side cover.
4. Lift and lock the top cover completely open.

INSTALLATION:

NOTE: It is recommended that two persons install this kit, due to it being necessary for two persons to lift the assembled overhead guard onto the machine and one person to hold parts while the other installs the assembly/mounting hardware.

NOTE: Do not completely tighten assembly/mounting hardware until instructed to do so at the end of this Instruction Bulletin. All hardware is tightened after the overhead guard is installed onto the machine.

1. Use four hex screws (6), eight flat washers (8), and four lock nuts (9) to install the right guard leg (3) onto the overhead guard top (1). Refer to Fig. 1.

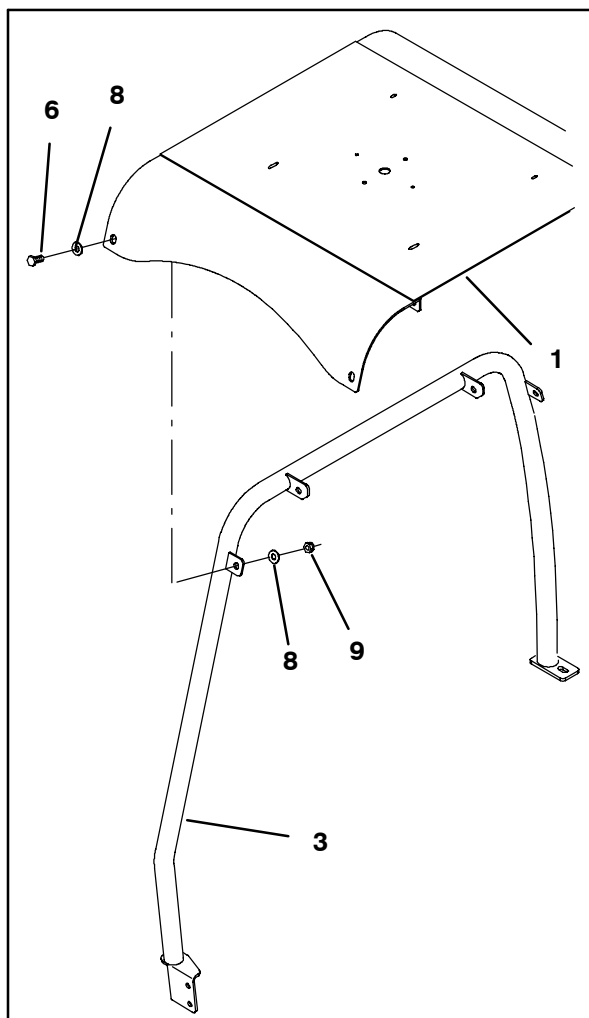


FIG. 1

- Use a hex screw (6), two flat washers (8), and a lock nut (9) to install the mirror bracket (4) and left guard leg (2) onto the overhead guard top (1). Refer to Fig. 2.

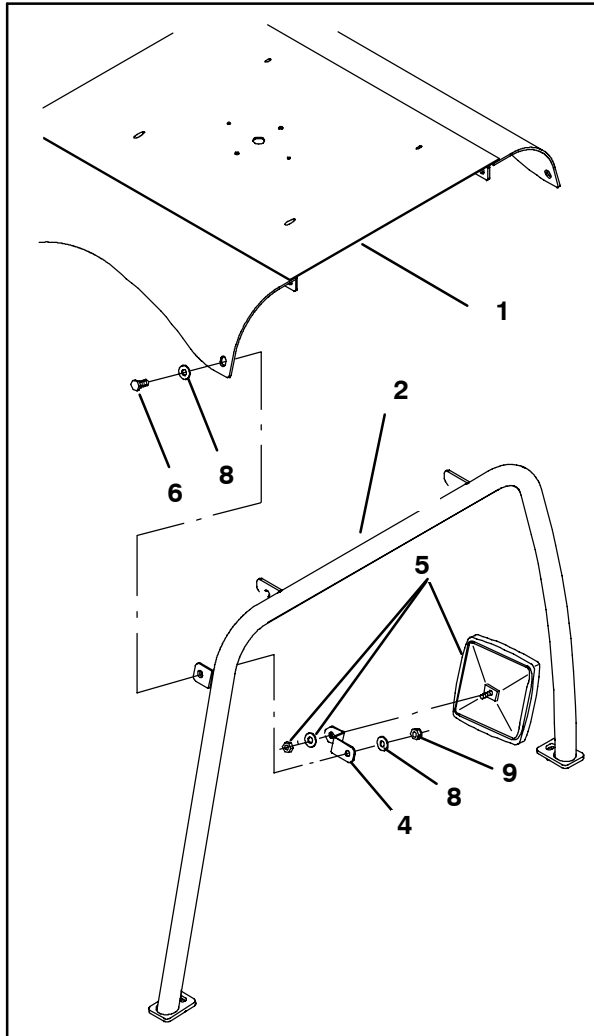


FIG. 2

- Use three hex screws (6), six flat washers (8), and three lock nuts (9) to install the rest of the rear of left guard leg (2) onto the overhead guard top (1). Refer to Fig. 2.
- Use the hardware included with the mirror (5) to install the mirror onto the mirror bracket (4). Refer to Fig. 2.

- Remove the hex screw holding the top of the side panel to the operator compartment. Refer to Fig. 3.

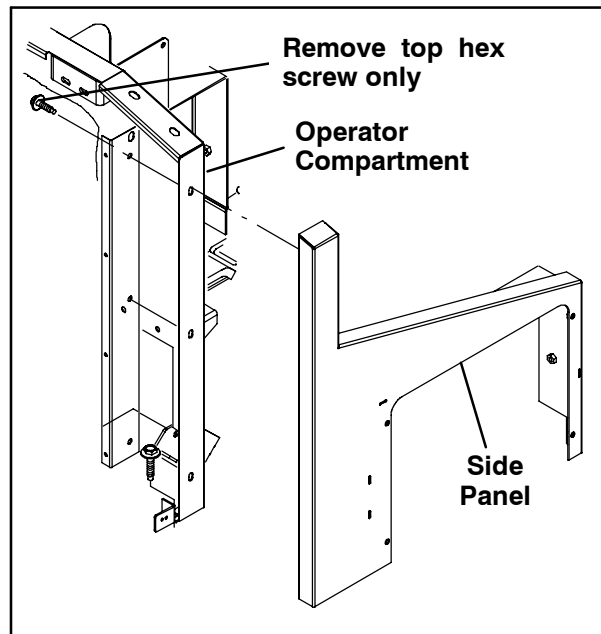


FIG. 3

- Use the hex screw removed in the previous step and a flat washer (8) to install support bracket (10) into the operator compartment. Refer to Fig. 4.

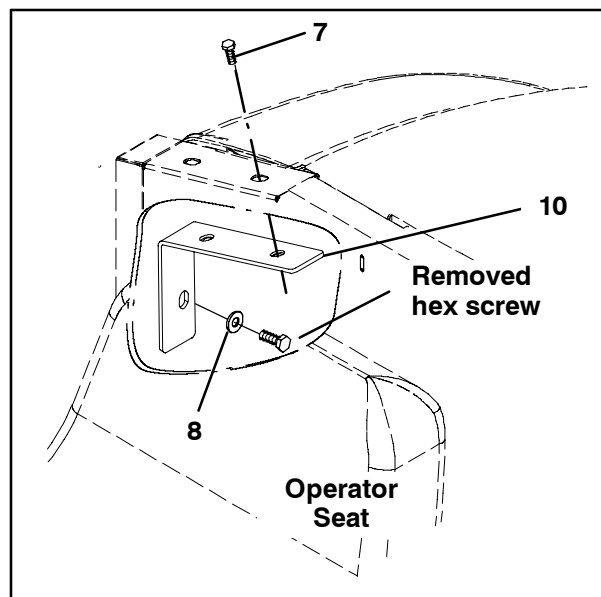


FIG. 4

- Use one hex screw (7) to secure the support bracket (10) to the operator compartment. Refer to Fig. 4.
- Place the assembled overhead guard onto the machine.

9. Use existing hardware already installed on machine to install the front leg of the right guard leg (3) to the machine. Refer to Fig. 5 and Fig. 9.

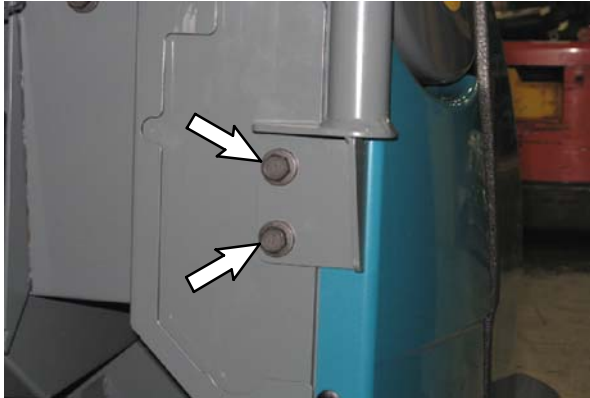


FIG. 5

10. Use existing hardware already installed on the machine to install the front leg of the left guard leg (2) to the machine. Refer to Fig. 6 and Fig. 9.

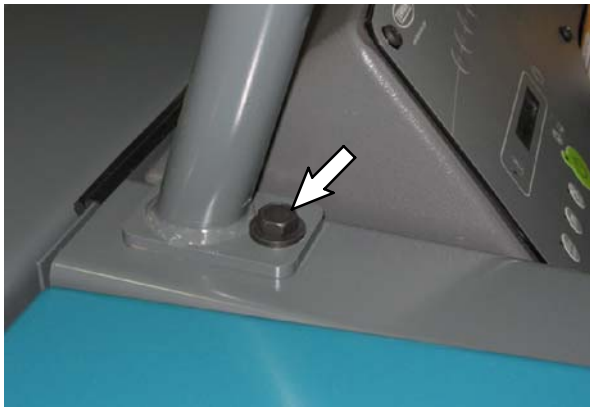


FIG. 6

11. Use a hex screw (7), one flat washer (8), and a lock nut (9) to install the rear leg of the left guard leg (2) to the machine. Refer to Fig. 7 and Fig. 9.

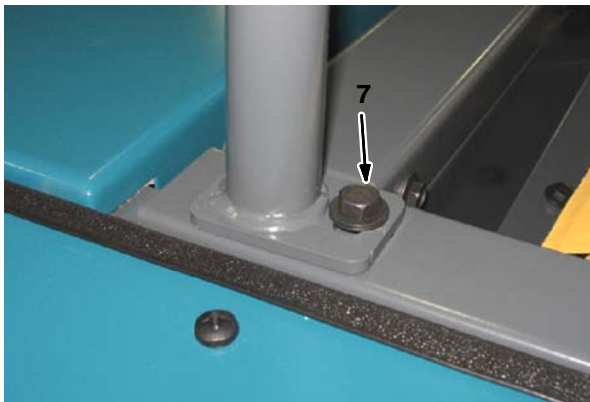


FIG. 7

12. Use a hex screw (7) to install the rear leg of the right guard leg (3) to the machine and support bracket (10). Refer to Fig. 8 and Fig. 9.



FIG. 8

13. Tighten all loose hardware. Refer to Fig. 9.

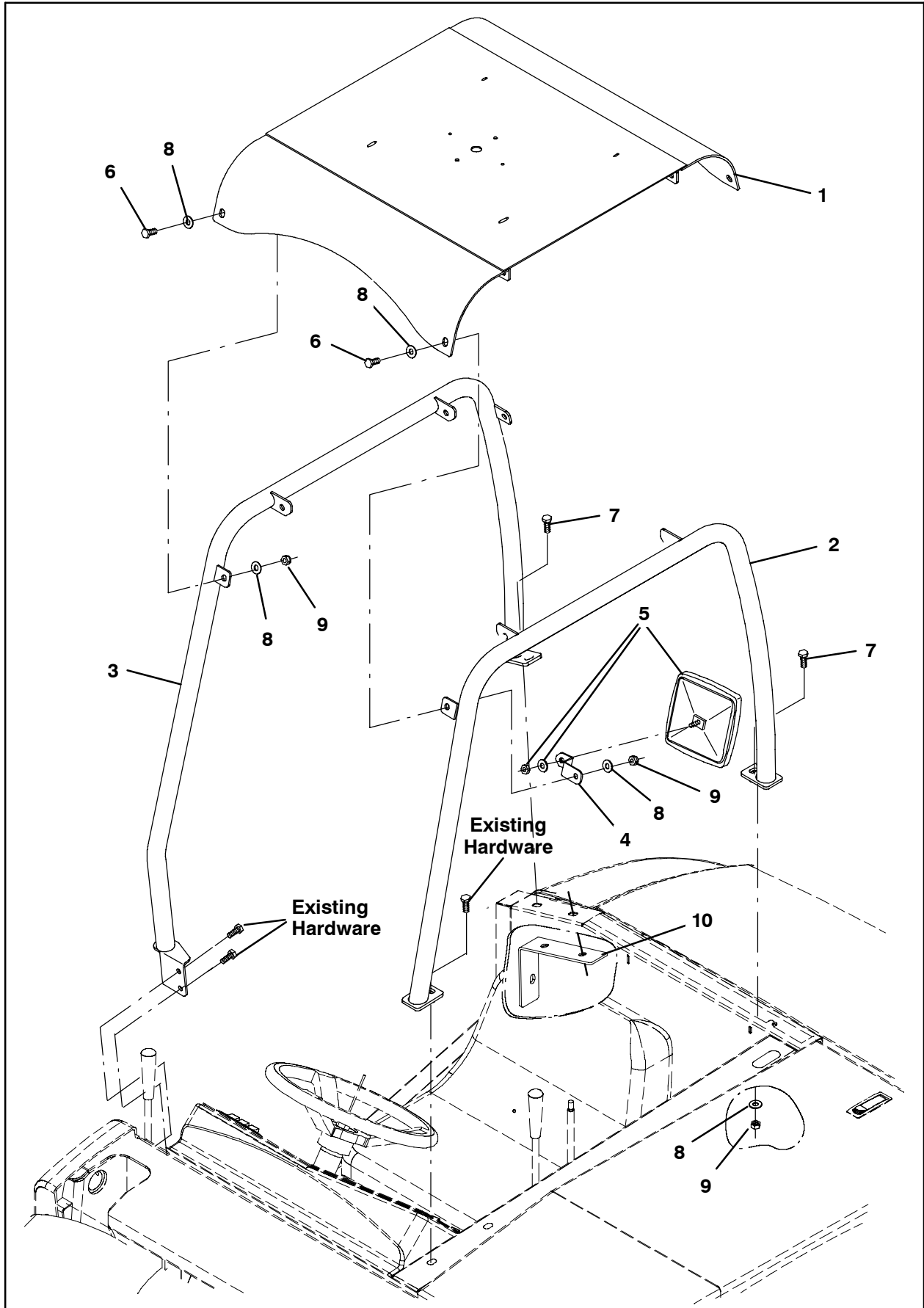


FIG. 9

Bill of Materials for OHG Kit, CI [S30] - 9003635

	Ref.	Tennant Part No.	Description	Qty.
▽		9003635	Ohg Kit, Ci [S30]	1
▲	1	1032262	Guard Wldt, Ohg, Top	1
▲	2	1032067	Leg Wldt, Guard, Lh	1
▲	3	1032069	Leg Wldt, Guard, Rh	1
▲	4	1032722	Bracket, Mtg, Mirror	1
▲	5	49034	Mirror, Convex, 06.7 X 06.2	1
▲	6	39283	Screw, Hex, M10 X 1.5 X 25, 8.8	8
▲	7	1037358	Screw, Hex, M10 X 1.5 X 35, Sems	3
▲	8	32492	Washer, Flat, 0.38, Std	17
▲	9	41430	Nut, Hex, Lock, M10 X 1.5, NI	9
▲	10	1045101	Bracket, Sppt, Ohg	1

TENNANT COMPANY
P. O. Box 1452
Minneapolis, MN 55440-1452